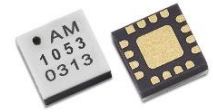


AM1053 – Amplifier

5 GHz to 20 GHz Gain Block

Description

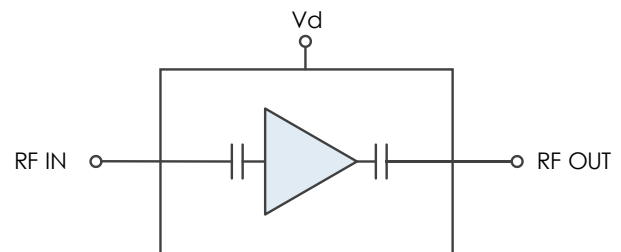
The AM1053 is a high dynamic range cascadable gain block covering the 5 GHz to 20 GHz frequency range. The device provides high gain and is capable of producing a +17 dBm output power with a single +3.3V supply, useful for many LO driver applications. The AM1053 exhibits a low noise figure, high third order intercept performance, and gain stability over the operating temperature range while offering internal 50Ω matching all packaged in a 3mm QFN or a shielded module.



Features

- 20 dB Gain TYP
- 2.5 dB Noise Figure
- +28 dBm OIP3
- +16 dBm P1dB
- +17 dBm Psat
- +3.3 V, 93 mA Supply
- 3mm QFN
- -40 C to +85 C Operation
- Unconditionally Stable
- No DC Blocking Caps Required

Functional Diagram



Characteristic Performance

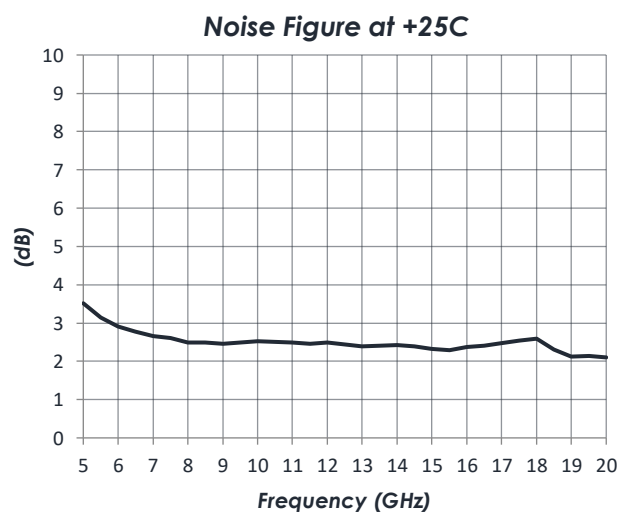
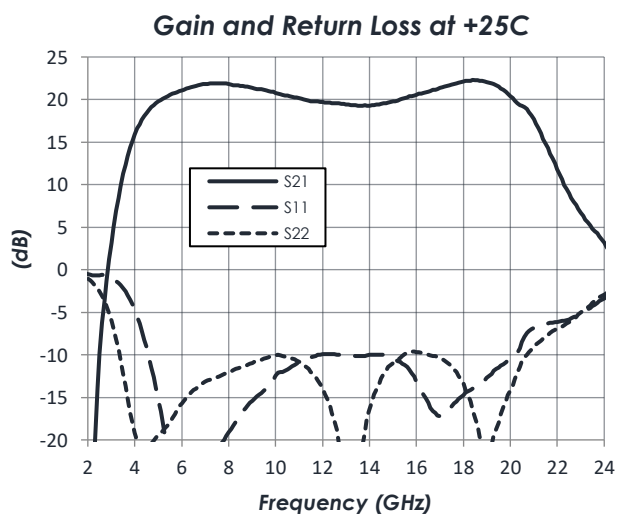


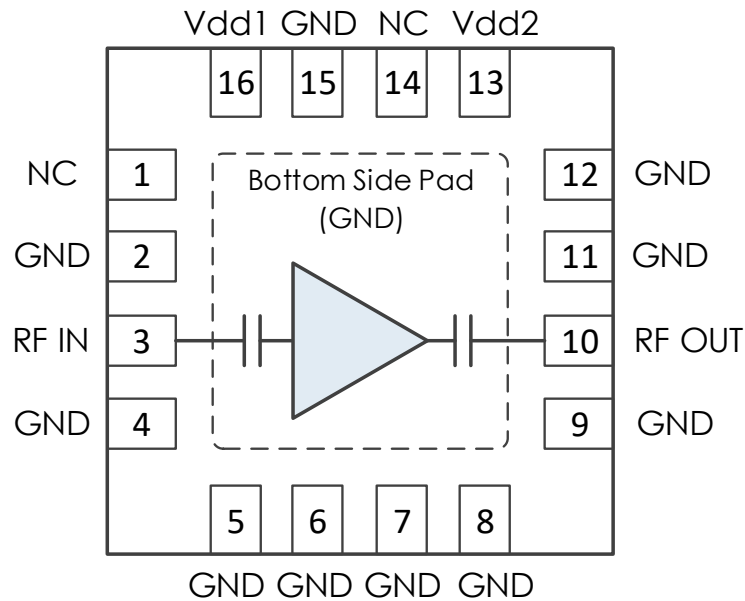
Table of Contents

Description	1	Thermal Information	4
Features	1	DC Electrical Characteristics	5
Functional Diagram	1	RF Performance	5
Characteristic Performance	1	Typical Performance	6
Revision History	2	Typical Application	8
Pin Layout and Definitions	3	Part Ordering Details	9
Specifications	4	Evaluation PC Board	9
Absolute Maximum Ratings	4	Related Parts	9
Handling Information	4	Component Compliance Information	10
Recommended Operating Conditions	4		

Revision History

Date	Revision Number	Notes
January 20, 2017	5	Office Location Updated
March 13, 2017	6	Formatting Corrected, Typical Application Updated.
May 22, 2019	7	Updated to Latest Datasheet Format. Various Plots Updated.
June 6, 2019	7A	Component Compliance Information Updated.
November 25, 2019	8	RF-Shielded Module Information Added, Part Ordering Details Added
May 15, 2020	9	Package and module information moved to main product page

Pin Layout and Definitions



Pin Number	Pin Name	Pin Function
1	NC	Do Not Connect
2	GND	Ground - Common
3	RF In	RF Input – 50 Ohms – AC Coupled
4-9	GND	Ground - Common
10	RF Out	RF Output – 50 Ohms – AC Coupled
11, 12	GND	Ground - Common
13	VDD2	DC Power Input
14	NC	Do Not Connect
15	GND	Ground - Common
16	VDD1	DC Power Input
Case GND	GND	Ground - Common

AM1053 – Amplifier

5 GHz to 20 GHz Gain Block



Specifications

Absolute Maximum Ratings

	Minimum	Maximum
Supply Voltage	-0.3 V	+3.7 V
RF Input Power		+13 dBm
Operating Junction Temperature	-40 C	+150 C
Storage Temperature Range	-50 C	+150 C

Note: Any device operation beyond the Absolute Maximum Ratings may result in permanent damage to the device. The values listed in this table are extremes and do not imply functional operation of the device at these or any other conditions beyond what is listed under Recommended Operating Conditions. Any part subjected to conditions outside of what is recommended for an extended amount of time may suffer from reliability concerns.

Handling Information

	Minimum	Maximum
Storage Temperature Range (Recommended)	-50 C	+125 C
Moisture Sensitivity Level	MSL 3	



Atlanta Micro products are electrostatic sensitive.
Follow safe handling practices to avoid damage

Recommended Operating Conditions

	Minimum	Typical	Maximum
Supply Voltage	+2.7 V	+3.3 V	+3.5 V
Operating Case Temperature	-40 C		+85 C
Operating Junction Temperature	-40 C		+125 C

Thermal Information

	Thermal Resistance (°C / W)
Junction to Case Thermal Resistance (θ_{JC})	83.8

AM1053 – Amplifier

5 GHz to 20 GHz Gain Block

DC Electrical Characteristics

(T = 25 °C unless otherwise specified)

Parameter	Testing Conditions	Minimum	Typical	Maximum
DC Supply Voltage			+3.3 V	
DC Supply Current	VDD1 = VDD2 = +3.3 V	85 mA	93 mA	101 mA
Power Dissipated	VDD1 = VDD2 = +3.3 V	0.28 W	0.31 W	0.33 W

RF Performance

(T = 25 °C unless otherwise specified)

Parameter	Testing Conditions	Minimum	Typical	Maximum
Frequency Range		5 GHz		20 GHz
Gain	VDD1 = VDD2 = +3.3 V		20 dB	
Return Loss	VDD1 = VDD2 = +3.3 V		15 dB	
Reverse Isolation	VDD1 = VDD2 = +3.3 V		38 dB	
Output IP3	VDD1 = VDD2 = +3.3 V		+28 dBm	
Output P1dB	VDD1 = VDD2 = +3.3 V		+16 dBm	
Output Power Saturation	VDD1 = VDD2 = +3.3 V		+17 dBm	
Noise Figure	VDD1 = VDD2 = +3.3 V		2.5 dB	

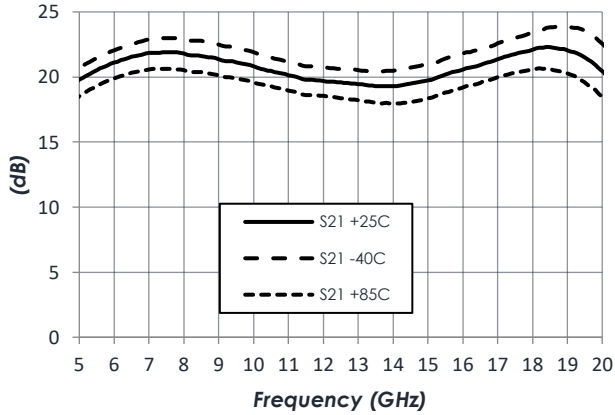
AM1053 – Amplifier

5 GHz to 20 GHz Gain Block

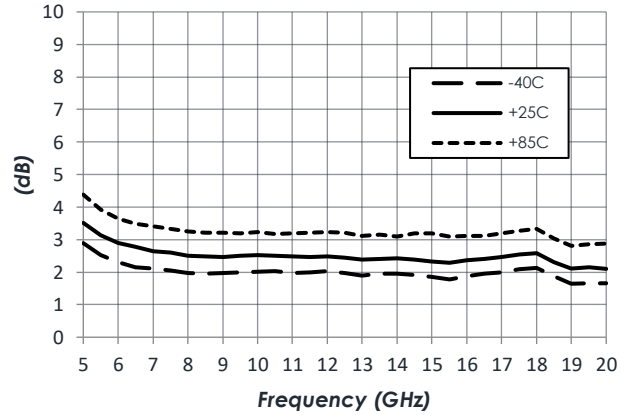
Typical Performance

(VDD1 = VDD2 = +3.3 V, ID1 = 31 mA, ID2 = 62 mA)

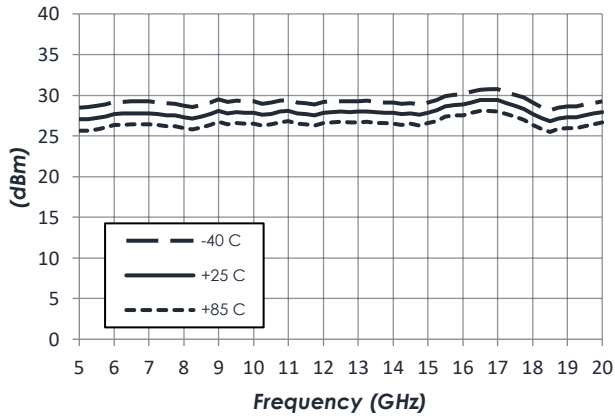
Gain vs Temperature



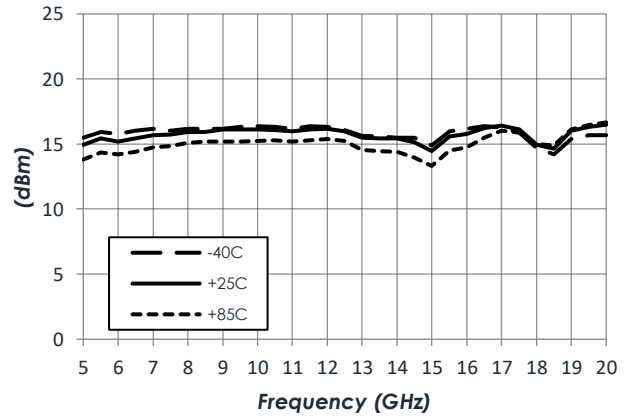
Noise Figure vs Temperature



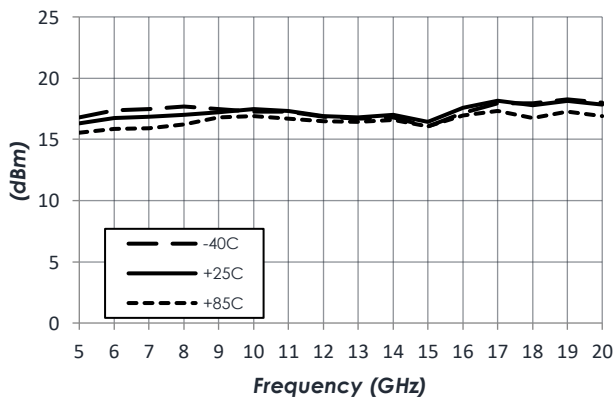
Output IP3 vs Temperature



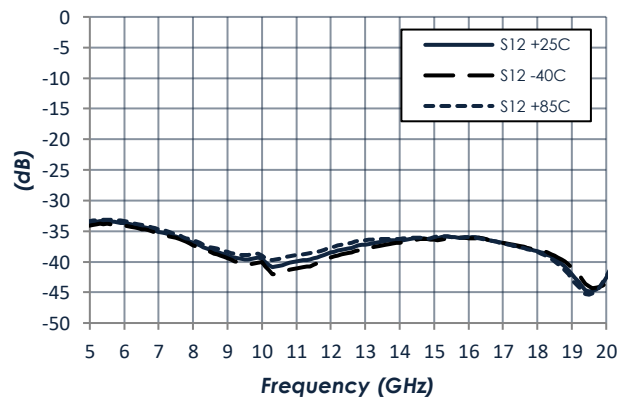
P1dB vs Temperature



Psat vs Temperature



Reverse Isolation vs Temperature

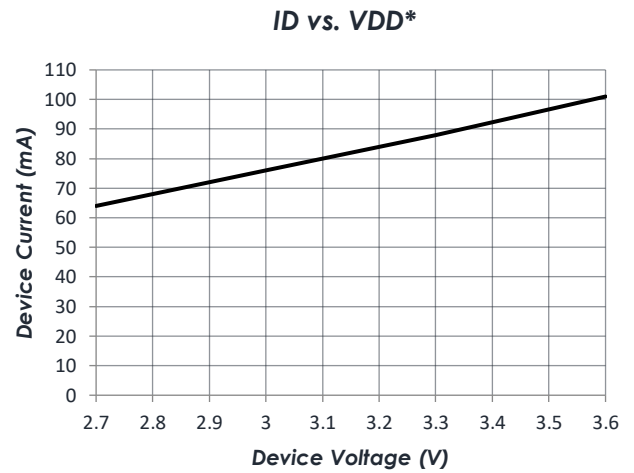
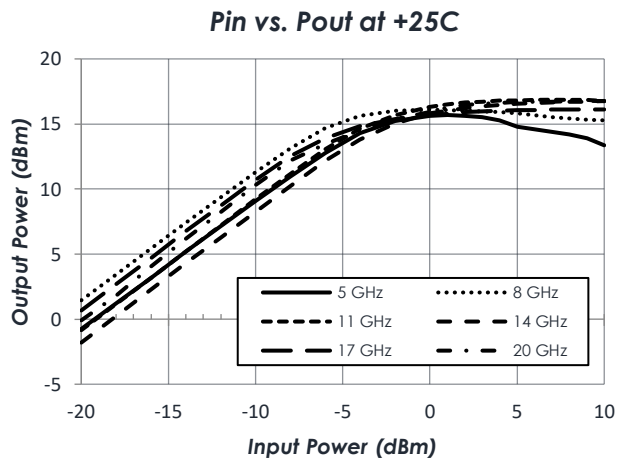


AM1053 – Amplifier

5 GHz to 20 GHz Gain Block

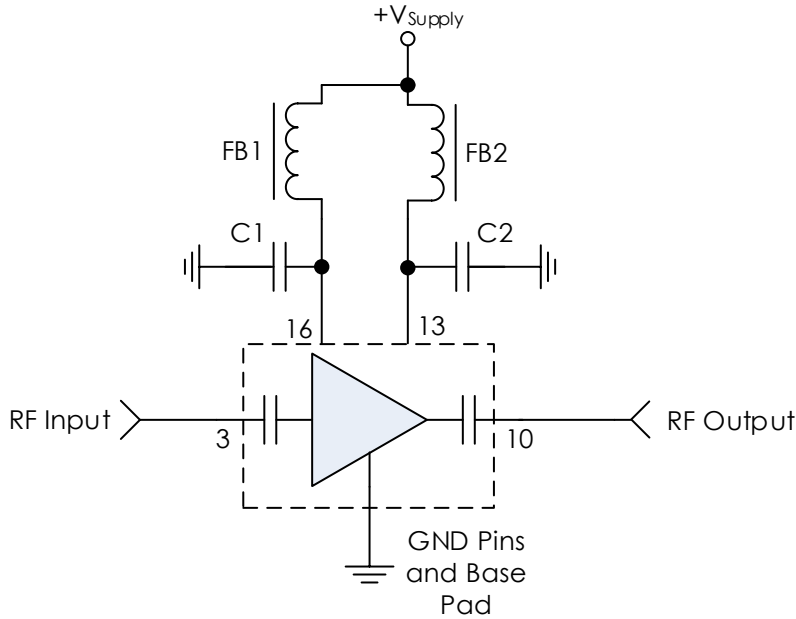
Typical Performance (continued)

(VDD1 = VDD2 = +3.3 V, ID1 = 31 mA, ID2 = 62 mA)



*Note: VDD = VDD1 = VDD2

Typical Application



Recommended Component List (or equivalent):

Part	Value	Part Number	Manufacturer
FB1, FB2	-	MMZ1005A222E	TDK
C1, C2	0.1 μ F	C1005X7R1H104K050BB	TDK

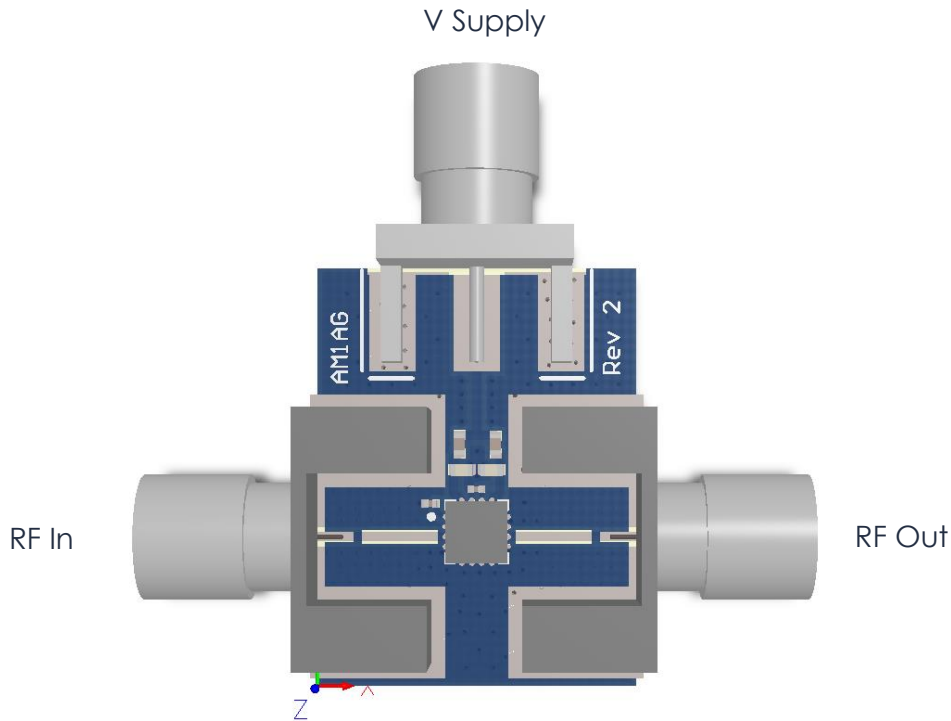
Notes:

1. RF Input and RF Output pins are internally DC blocked.

AM1053 – Amplifier

5 GHz to 20 GHz Gain Block

Evaluation PC Board



***Note:** Some of the components shown may not be installed

Part Ordering Details

Description	Part Number
3mm 16 Lead QFN	AM1053
AM1053 Evaluation Board	AM1053 Eval
AM1053 in 0.95" x 1.13" x 0.6" RF-Shielded Module with Integrated Bias Tee and Field Replaceable SMA Connectors	AM1053-M

Related Parts

Part Number	Description
AM1067	5 GHz to 20 GHz Bypassable Gain Block
AM1075	5 GHz to 26.5 GHz Bypassable Gain Block
AM1077	5 GHz to 20 GHz Bypassable Gain Block w/ Isolation State
AM1064-1	DC to 8 GHz Gain Block
AM1064-2	DC to 8 GHz Miniature Gain Block
AM1070	DC to 18 GHz +3.3V Broadband Gain Block
AM1071	DC to 18 GHz +5.0V Broadband Gain Block

Component Compliance Information

RoHS: Atlanta Micro, Inc. hereby certifies that all products comply with the EC Directive 2011/65/EC on the Restriction of Hazardous Substances, commonly known as EU-RoHS 6 and 10. All products supplied by Atlanta Micro shall be compliant with the European Directive 2011/65/EC based on the following substance list.

Substance List	Allowable Maximum Concentration
Lead (Pb)	<1000 PPM (0.1% by weight)
Mercury (Hg)	<1000 PPM (0.1% by weight)
Cadmium (Cd)	<75 PPM (0.0075% by weight)
Hexavalent Chromium (CrVI)	<1000 PPM (0.1% by weight)
Polybrominated Biphenyls (PBB)	<1000 PPM (0.1% by weight)
Polybrominated Diphenyl ethers (PBDE)	<1000 PPM (0.1% by weight)
Decabromodiphenyl Deca BDE	<1000 PPM (0.1% by weight)
Bis (2-ethylhexyl) Phthalate (DEHP)	<1000 PPM (0.1% by weight)
Butyl Benzyl Phthalate (BBP)	<1000 PPM (0.1% by weight)
Dibutyl Phthalate (DBP)	<1000 PPM (0.1% by weight)
Diisobutyl Phthalate (DIBP)	<1000 PPM (0.1% by weight)

REACH: Atlanta Micro, Inc. neither uses nor intentionally adds any of the substances considered to be a Substance of Very High Concern (SVHC) as defined by the EU Regulation (EC) No. 1907-2006 on Registration, Evaluation, Authorization, and Restriction of Chemicals (REACH).

Conflict Materials: Atlanta Micro does not knowingly use materials that are sourced from the Democratic Republic of Congo (DRC) or any other known conflict regions. Atlanta Micro's supply chain is comprised of sources that are both environmentally and socially responsible. We periodically review this requirement with our vendors to ensure continued compliance.

Atlanta Micro takes its responsibility as a global partner seriously and will use due diligence within our supply chain to ensure all standards are met to the best of our knowledge.