

# Quartz 5953

3U VPX 8-channel A/D & D/A board  
with Xilinx Zynq UltraScale+ RFSoc - Gen 3

Data conversion and processing solution on a single chip

- High-bandwidth data streaming
- Waveform signal generator
- Communication receiver and transmitter
- Electronic Warfare transponder
- Analog I/O for digital recording and playback
- Sensor interfaces



**The Quartz® 5953 is a high-performance 3U OpenVPX board based on the Xilinx Zynq UltraScale+ RFSoc FPGA.** The RFSoc integrates eight RF-class A/D and D/A converters into the Zynq's multiprocessor architecture, creating a multichannel data conversion and processing solution on a single chip. The 5953 brings RFSoc performance to 3U VPX with a complete system on a board.

Complementing the RFSoc's on-chip resources are the 5953's sophisticated clocking section for single board and multiboard synchronization, a low-noise front end for RF input and output, up to 16 GB of DDR4, a PCIe interface, a gigabit serial optical interface capable of supporting dual 100 GigE connections, and general-purpose serial and parallel signal paths to the FPGA.

## BOARD ARCHITECTURE

The 5953 board design places the RFSoc as the cornerstone of the architecture. All control and data paths are accessible by the RFSoc's programmable logic and processing system. A full suite of IP and software functions utilize this architecture to provide data capture, timing, and interface solutions for many of the most common application requirements.

## FEATURES

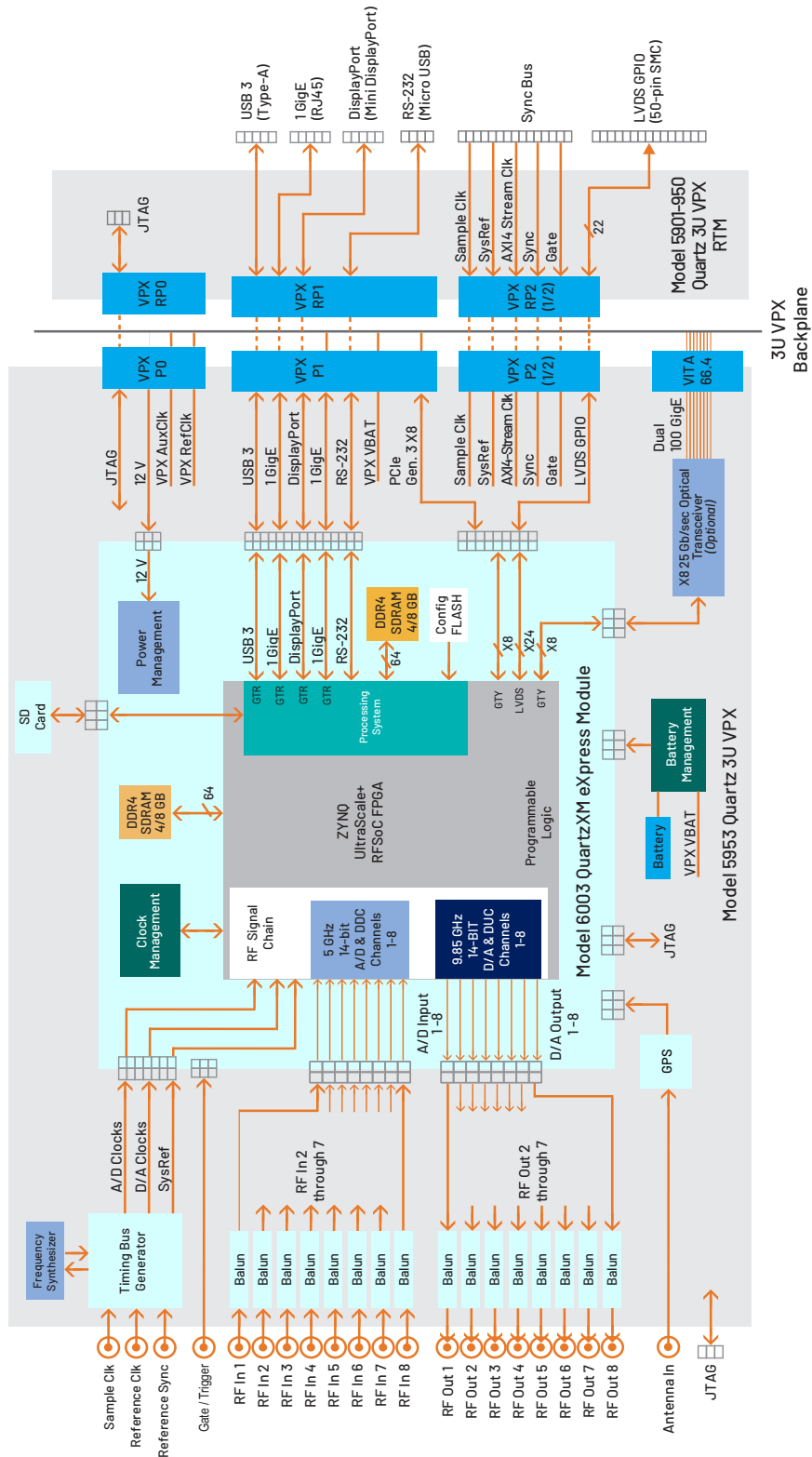
- Incorporates Xilinx® Zynq® UltraScale+™ Gen 3 RFSoc
- 16 GB of DDR4 SDRAM
- On-board GPS receiver
- PCI Express (Gen. 1, 2 and 3) interface up to x8
- LVDS connections to the RFSoc for custom I/O
- Optional VITA 66.4 optical interface for backplane gigabit serial communication
- Dual 100 GigE UDP interface
- Compatible with several VITA standards including: VITA 46, VITA 48, VITA 66.4, VITA 57.4 and VITA 65 (OpenVPX™ System Specification)
- Ruggedized and conduction-cooled versions available
- Unique QuartzXM eXpress Module enables migration to other form factors
- Navigator® BSP for software development
- Navigator® FDK for custom IP development
- 3U VPX development chassis available

## EXTENDABLE IP DESIGN

For applications that require specialized functions, users can install their own custom IP for data processing. Mercury's FPGA Design Kit (FDK) includes the board's entire FPGA design that can be edited using Intel's Quartus® Prime Software. For all supplied IP, all source code and complete IP core documentation is included. Developers can integrate their own IP along with the factory-installed functions or use the Mercury's BSP and FDK to completely replace the IP provided by Mercury with their own.

5953 BLOCK DIAGRAM

Click on a block for more information.



**A/D CONVERTER STAGE**

The 5953 accepts analog IF or RF inputs on eight front panel coax connectors. These inputs are transformer-coupling into the RF signal chain of the RFSoc. Inside the RFSoc, the analog signals are routed to eight 5 GSPS, 14-bit A/D converters. Each converter has built-in digital downconverters with programmable 1, 2, 3, 4, 5, 6, 8, 10, 12, 16, 20, 24, or 40x decimation and independent tuning. The A/D digital outputs are delivered into the Zynq's programmable logic and processor system for signal processing, data capture or for routing to other resources.

In addition to the A/D's built-in decimation, an additional stage of IP-based decimation provides another 16x stage of data reduction, ideal for applications that need to stream data from all eight A/Ds.

**D/A CONVERTER STAGE**

The RFSoc's eight D/A converters accept baseband real or complex data streams from the FPGA's programmable logic. Each 9.85 GSPS, 14-bit D/A includes a digital upconverter with independent tuning and interpolations of 1, 2, 3, 4, 5, 6, 8, 10, 12, 16, 20, 24, or 40x. Each D/A output is transformer coupled to a coax connection located on the front panel.

**CLOCKING AND SYNCHRONIZATION**

In addition to the front panel, Sync Bus signals are available on the VPX P2 connector for use with the Quartz® 5903 3U VPX high-speed synchronizer and distribution board for synchronizing up to 8 5953s in larger, multi-channel systems with single sample accuracy across all channels.

The on-board timing bus generator uses these signals, in addition to a frequency synthesizer, to create the required A/D and D/A clocks and a SysRef for operation of the data converters. The timing bus generator supports an internal clock mode where the sample clock is driven by the programmable frequency synthesizer and no additional clock needs to be provided. In an alternate mode, the on-board sample clock can be synchronized to a 10 MHz reference clock received through a front panel connector.

The 5953 can also accept an external sample clock through a front panel connector. This mode bypasses the on-board sample clock. A multifunction gate/trigger input is available on the front panel for external control of data acquisition and playback.

**MEMORY RESOURCES**

The 5953 architecture supports 8 GB bank of DDR4 SDRAM memory accessible from the Programmable Logic. User-installed IP, along with the Mercury-supplied DDR4 controller core within the FPGA, can take advantage of the memory for custom applications.

An 8 GB bank of DDR4 SDRAM is available to the Processing System as program memory and storage.

**PCI EXPRESS INTERFACE**

The 5953 includes an industry-standard interface fully compliant with PCI Express Gen. 1, 2 and 3 bus specifications. Supporting PCIe links up to x8, the interface includes multiple DMA controllers for efficient transfers to and from the module.

**GPS**

A GPS receiver provides time and position information to the FPGA and ARM processors. This information can be used for precise data tagging. The GPS provides a 1 PPS and a reference clock to the FPGA.

**EXPANDABLE I/O**

The 5953 supports the VITA 66.4 standard providing eight 25 Gb/sec full duplex optical lanes to the backplane. With the built-in 100 GigE UDP interface or installation of user-provided serial protocol, the VITA 66.4 interface enables gigabit communications between boards independent of the PCIe interface.

Eleven pairs of LVDS connections are provided between the FPGA and the VPX P2 connector for custom I/O.

**REAR TRANSITION MODULE**

The Model 5901 RTM complements the Model 5953 by providing rear backplane access to standard interfaces including: JTAG, USB 3, 1 GigE, DisplayPort, and RS-232. The RTM also includes a multi-signal Sync Bus connector for synchronizing multiple 5953s with the Quartz 5903 3U VPX high-speed synchronizer and distribution board, and a general-purpose FPGA I/O connector is also provided for access to 11 LVDS pairs from the FPGA.

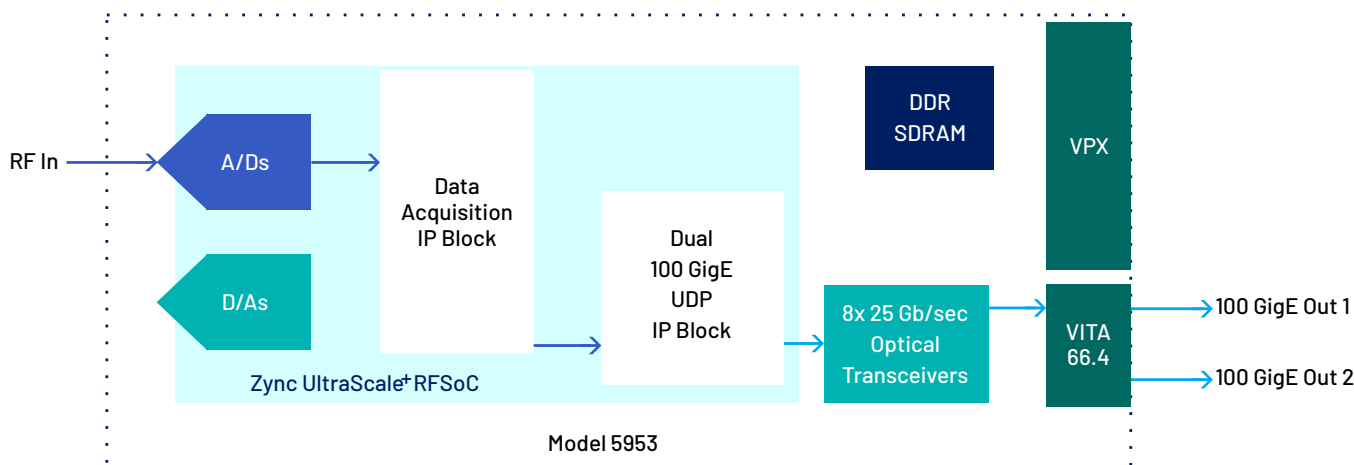
**OPTIMIZED IP**

Xilinx has created an integrated processing solution in the RFSoc that is unprecedented. The key to unlocking the potential of the RFSoc is efficient operation using optimized IP and application software. Mercury helps streamline the process from development to deployed application by providing a full suite of built-in functions. These address the data flow and basic processing needed for some of the most common applications.

**EXAMPLE 1 - HIGH BANDWIDTH DATA STREAMING**

The RFSoc's eight A/Ds are capable of producing an aggregate data rate of 80 GB/sec when all channels are enabled. While capturing

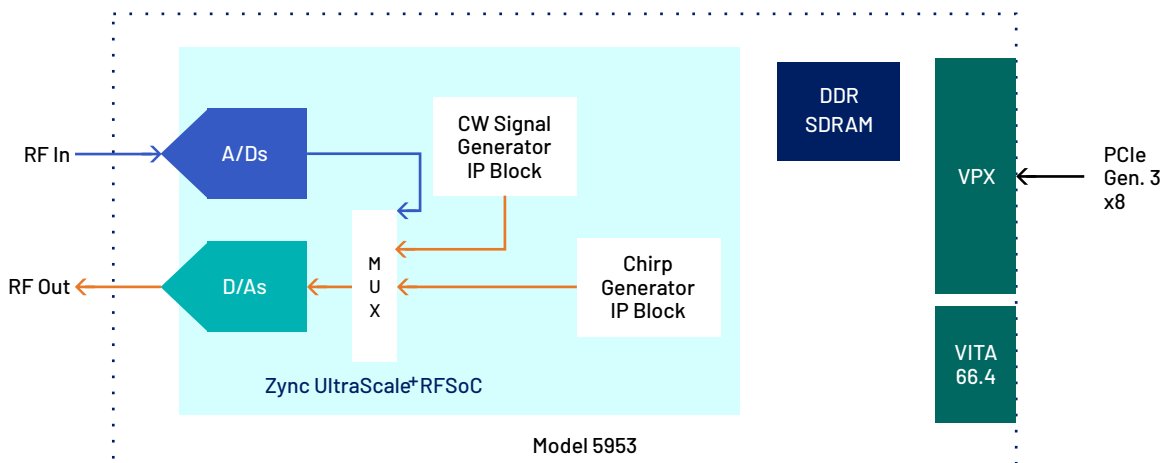
and storing this much raw data is not feasible, the A/Ds built-in digital downconverters can reduce this data throughput in many applications to a rate reasonable for the data streaming and storage components downstream in the system. In some applications capturing the raw, full bandwidth data is crucial. The 5953's dual 100 GigE UDP engine provides a high bandwidth path for moving data off of the board. Along with the built-in data acquisition IP, the 5953 can stream raw data from two A/D channels running at 4 GSPS over optical cable to a downstream storage or processing subsystem.



**EXAMPLE 2 - WAVEFORM GENERATOR**

The 5953's IP supports multiple D/A signal source options. A simple loopback path allows samples received by the A/Ds to be output through the D/As. A CW signal generator produces a sine output with programmable frequency. A chirp generator, ideal

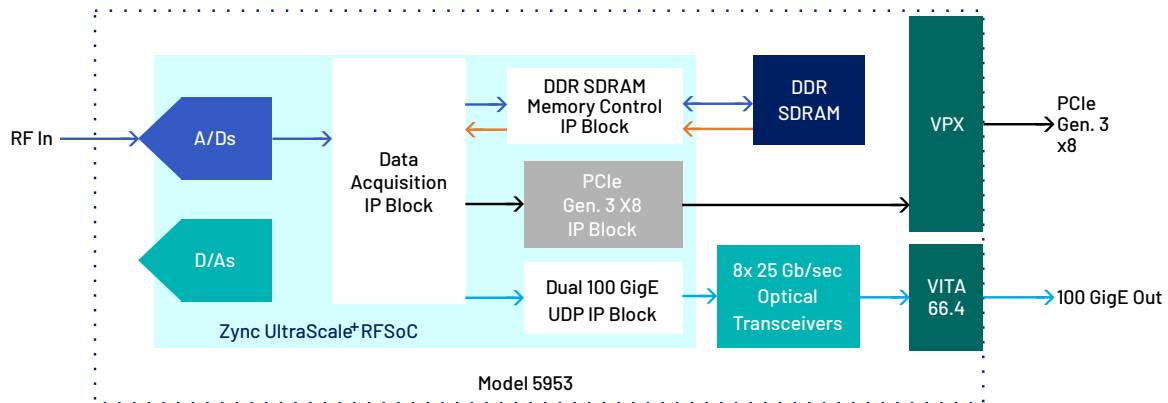
for radar applications, outputs sweep signals with programmable frequency, ramp, phase offset, gain offset, and length. The generators also include flexible trigger options with both internal and external triggering.



**EXAMPLE 3 - MULTIMODE DATA ACQUISITION SYSTEM**

In some applications multiple data acquisition modes may need to be operated at the same time. A required dataflow could be full bandwidth streaming of a single A/D channel over 100 GigE to a data recorder while another channel of A/D data is stored as snapshots in the board's DDR4 SDRAM and read by the ARM

processor while yet other A/D channels are down converted using the A/Ds' built-in DDCs and streamed over PCIe. The 5953 provides these modes with built-in IP supporting complex data streaming scenarios without the need for creating custom IP.



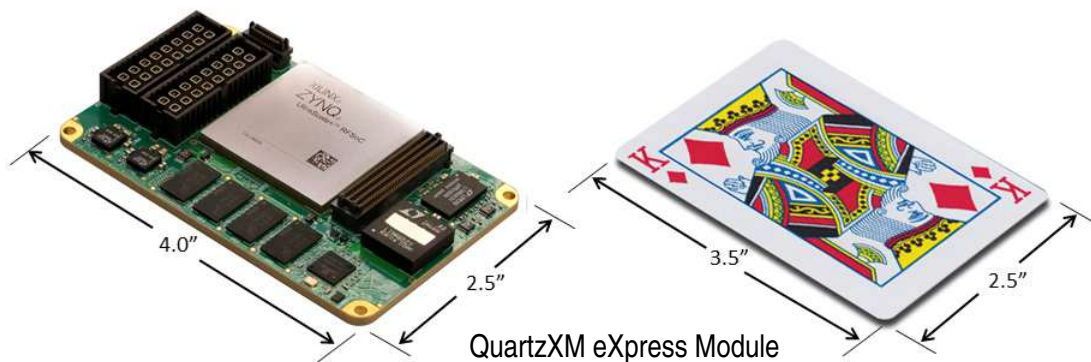
**FLEXIBLE MODULAR DESIGN**

While the Quartz 5953 follows the form factor of a standard 3U OpenVPX board, the unique modular design of Mercury's 6001 QuartzXM eXpress Module provides the flexibility to deploy this solution in many different situations. The heart of the QuartzXM is a system on module containing all of the key components including the RFSoc FPGA, DDR4 SDRAM, and power and clock management.

In the case of the 5953, the QuartzXM is mounted on a 3U OpenVPX carrier which complements the design with a timing bus generator, analog signal conditioning, a GPS receiver and an 8x 28 Gbps optical transceiver. As a module and carrier board set, the 5953 becomes a complete, ready to deploy 3U OpenVPX

solution available for a range of operating environments from commercial to rugged and conduction-cooled.

The 6001 QuartzXM can also be mounted on other carriers available from Mercury to support standard form factors; or for applications that require a non-standard footprint, Mercury supports the module with a design kit for users to engineer and build their own custom carrier. As a complete and tested module, the QuartzXM encapsulates best-in-class electrical and mechanical design, eliminating some of the most challenging aspects of embedded circuit design and allowing the user to focus on the application specific carrier design.



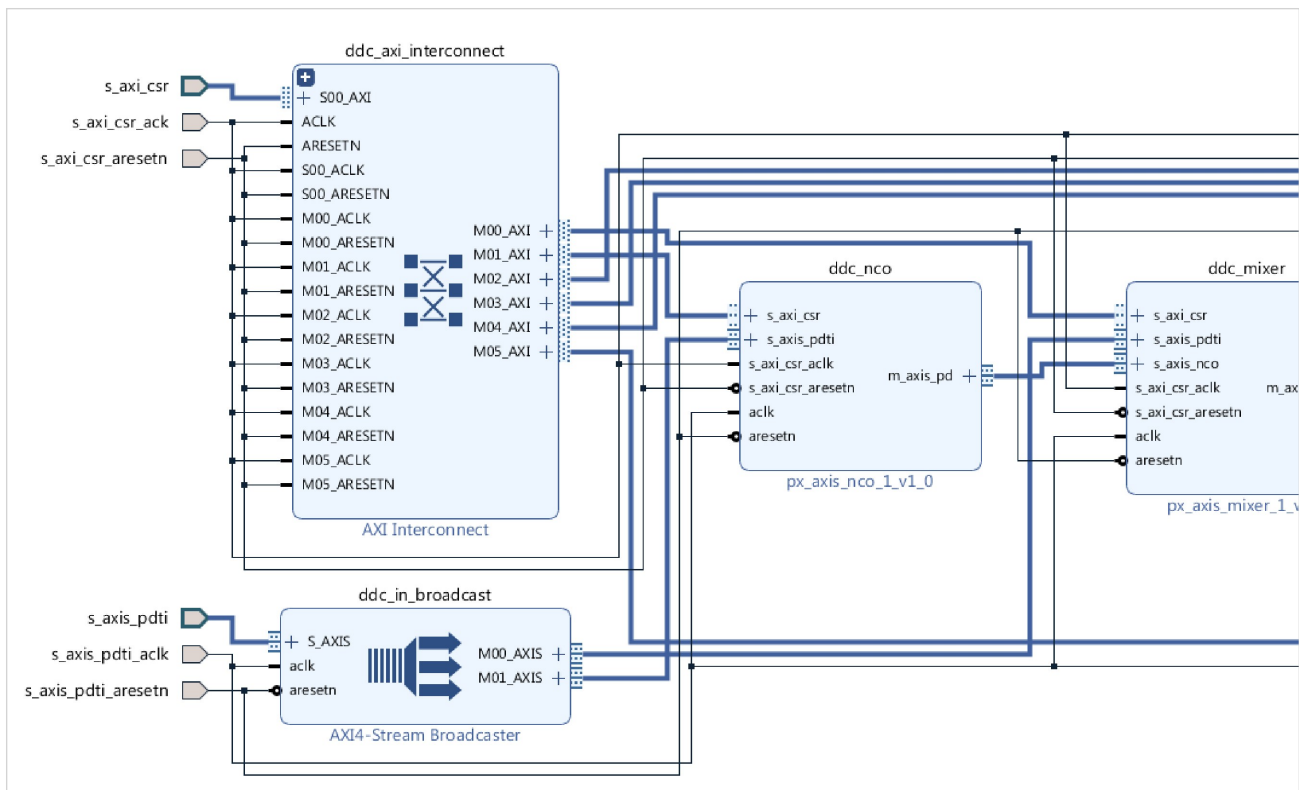
**NAVIGATOR DESIGN SUITE**

For applications that require specialized functions, the Navigator Design Suite allows customers to fully utilize the processing power of the FPGA. It includes an FPGA design kit for integrating custom IP into the factory-shipped design, and a board support package for creating host applications for control of all hardware and FPGA IP-based functions.

The Navigator FPGA Design Kit (FDK) for the Xilinx® Vivado® Design Suite includes the complete Vivado project folder for each Jade product with all design files for the factory-installed FPGA IP. Vivado’s IP Integrator is a graphical design entry tool that visually presents the complete block diagram of all IP blocks so the developer can access every component of the Jade design. Developers can quickly import, delete, and modify IP blocks and change interconnection paths using simple mouse operations.

Navigator FDK includes an IP core library of more than 100 functions representing a wealth of resources for DSP, data formatting, timing, and streaming operations, all based on the powerful AXI4 standard. multilevel documentation for each IP core is a mouse click away, and fully consistent with Xilinx IP cores.

The **Navigator Board Support Package (BSP)** provides software support for Jade boards. It enables operational control of all hardware functions on the board and IP functions in the FPGA. The BSP structure is designed to complement the functions of the FDK by maintaining a one-to-one relationship between FDK and BSP components. For each IP block found in the FDK library, a matching software module can be found in the BSP. This organization simplifies the creation and editing of software to support new IP functions and modifications to existing IP cores.

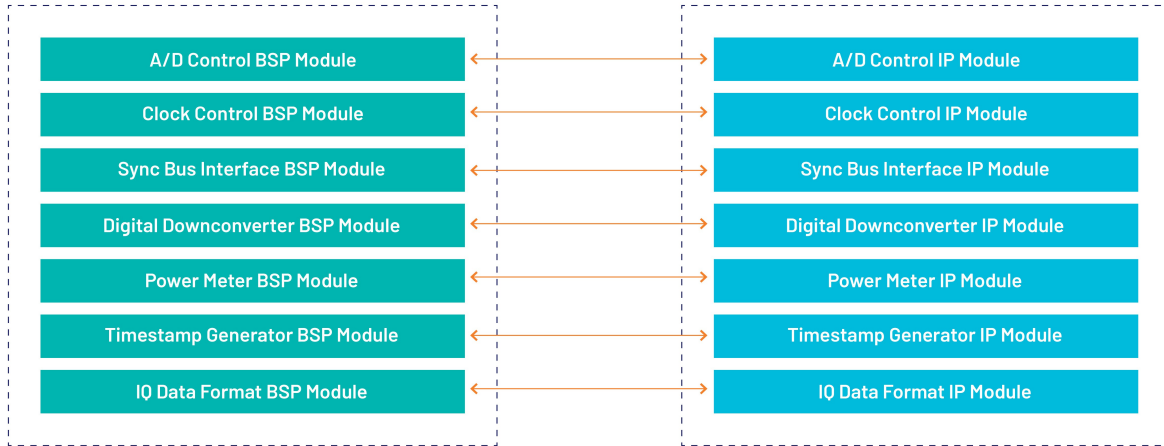


Navigator IP FPGA Design viewed in IP Integrator



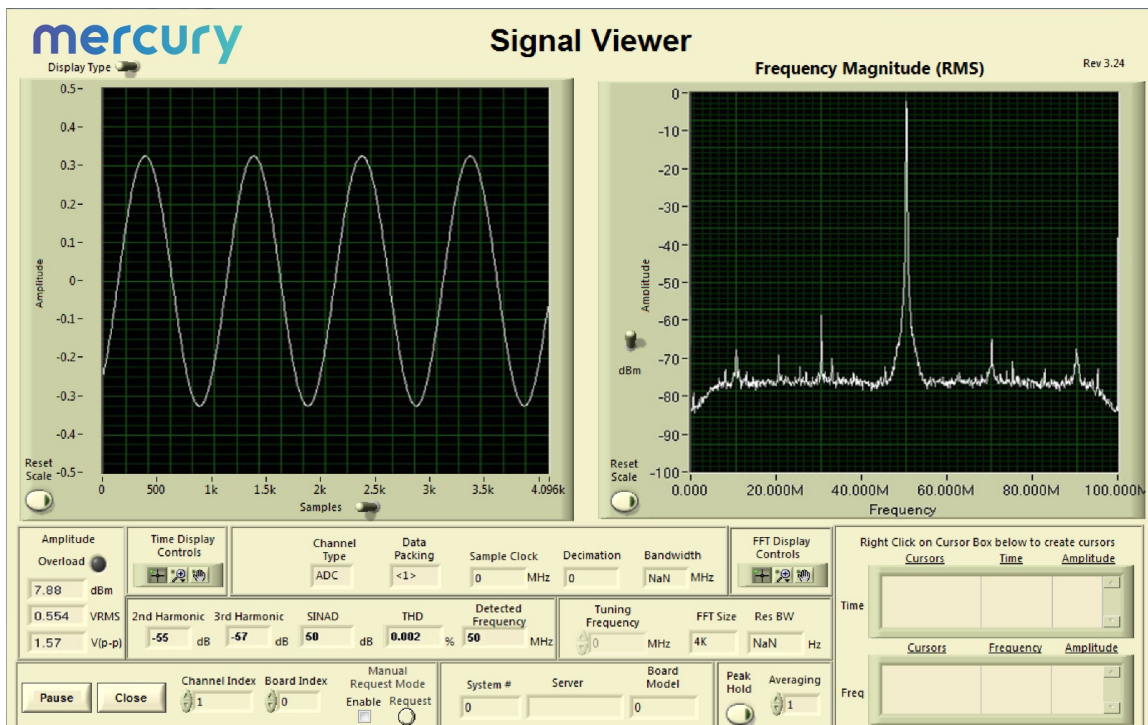
### NAVIGATOR BOARD SUPPORT PACKAGE

### NAVIGATOR FPGA DESIGN KIT



Because all Jade boards are shipped with a full suite of built-in IP functions and numerous software examples, new applications can be developed by building on the provided software examples or built entirely new with the BSP extensive libraries. All BSP libraries are provided as C-language source for full access and code transparency.

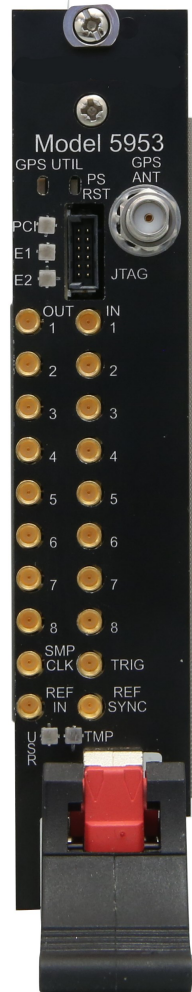
The Navigator BSP includes the **Signal Viewer**, a full-featured analysis tool, that displays data in time and frequency domains. Built-in measurement functions display 2nd and 3rd harmonics, THD (total harmonic distortion), and SINAD (signal to noise and distortion). Interactive cursors allow users to mark data points and instantly calculate amplitude and frequency of displayed signals. With the Signal Viewer users can install the Jade board and Navigator BSP and start viewing analog signals immediately.





**FRONT PANEL CONNECTIONS**

The 5953 is available in air- and conduction-cooled configurations. The picture below shows the front panel of the air-cooled 5953.



- **GPS Safeboot Power Up Button (Factory Use Only):** The white button, labeled **GPS UTIL**, provides a reset and safe reboot of the onboard GPS receiver.
- **Front Panel Reset Button:** The white button, labeled **PS RST**, provides a reset of the ARM processors.
- **GPS Antenna Connector:** the front panel has a connector, labeled **GPS ANT**, for input of an antenna RF signal for the onboard GPS receiver.
- **PCIe Link Up LED:** The green **PCI** LED illuminates when a

valid PCIe link has been established over the VPX interface.

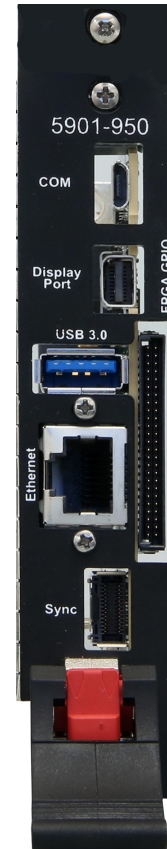
- **Link 1 LED:** The green **E1** LED illuminates when a link is established on 100G Ethernet link #1.
- **Link 2 LED:** The green **E2** LED illuminates when a link is established on 100G Ethernet link #2.
- **JTAG Connector:** The 5953 includes a **JTAG** connector on the front panel.

This is used to download to the FPGA and program QSPI configuration memory.

- **8 A/D Input Connectors:**The 8 MMCX connectors labeled **IN 1-8** provide A/D input to the A/D Converters on the 5953.
- **8 D/A Output Connectors:** The 8 MMCX connectors labeled **OUT 1-8** provide D/A output from D/A Converters on the 5953.
- **Sample Clock Connector:** The MMCX connector labeled **SMP CLK** provides an input for an external sample clock when external sample clock mode is selected.
- **Trigger Connector:** The MMCX connector labeled **TRIG** provides a trigger input. This trigger input is DC coupled and compatible with the LVTTTL levels, but is 5V tolerant. This trigger, being an LVTTTL signal, is not meant for high accuracy in relation to the sample clock as its rise time is on the order of nanoseconds.
- **Reference Clock In Connector:**The MMCX connector labeled **REF IN** provides an input for an external 10 MHz reference. This signal can be used to lock the on-board sample clock synthesizer to an external reference. It is optimally a sinewave signal.
- **Reference Clock Sync Connector:** The MMCX connector labeled **REF SYNC** provides an input for reference clock synchronization.
- **User LED:** The yellow **USR** LED is available for user applications.
- **Over Temperature LED:** The red **TMP** LED illuminates when an over-temperature or over-voltage condition is indicated by the temperature/voltage sensors on the 5953.

**RTM PANEL CONNECTIONS**

The picture below shows the Model 5901-950 Rear Transition Module panel.



- **COM:** RS-232 interface the processor over Micro USB connector
- **DisplayPort:** Mini DisplayPort connection to processor (*currently not supported*)
- **USB 3.0:** Type-A USB 3.0 interface to the processor.
- **Ethernet:** RJ45 10GigE interface to the processor
- **Sync:** Multi-pin, high-speed connector for multiboard synchronization
- **FPGA GPIO:** 11 pairs of LVDS connections to the programmable fabric for custom I/O

**SPECIFICATIONS**

**Field Programmable Gate Array**

Type: (standard) Xilinx Zynq UltraScale+ RFSoc XCZU47DR

- Option -048: RFSoc XCZU48DR
- Speed: (standard) -1 speed grade
- Option -002: -2 speed grade

**RFSoc RF Signal Chain**

Analog Inputs

- Quantity: 8
- Connectors: MMCX
- Location: Front panel
- Input Type: Transformer-coupled

Quartz 5953

- Transformer Type: Mini-Circuits TCM1-83X+

- Full Scale Input: +10 dBm into 50 ohms

A/D Converters

- Quantity: 8
- Sampling Rate: 5.0 GHz

- Resolution: 14 bits

Digital Downconverters

- Quantity: 1 per A/D
- Decimation Range: 1, 2, 3, 4, 5, 6, 8, 10, 12, 16, 20, 24, and 40x (not all decimations are supported by default IP)
- LO Tuning Freq. Resolution: 48 bits, 0 to  $f_s$
- Filter: 80% passband, 89 dB stop-band attenuation

Analog Outputs

- Quantity: 8
- Connectors: MMCX
- Location: Front panel
- Input Type: Transformer-coupled
- Transformer Type: Mini-Circuits TCM1-83X+
- Full Scale Output: +0 dBm into 50 ohms

D/A Converters

- Quantity: 8
- Sampling Rate: (standard) 8.92 GHz
  - With -2 speed grade (option -002): 9.85 GHz
- Resolution: 14 bits

Digital Upconverters

- Quantity: 1 per D/A
- Interpolation Range: 1, 2, 3, 4, 5, 6, 8, 10, 12, 16, 20, 24, and 40x (not all interpolations are supported by default IP)
- LO Tuning Freq. Resolution: 48 bits

- Filter: 80% pass band, 89 dB stop-band attenuation

Sample Clock

- Source: On-board programmable clock source or external clock source
- Location: Front panel (*for external source*)
- Connector Type: MMCX
- Level: -10 dBm to +10 dBm front panel

Reference Clock

- Source: On-board oscillator, on-board GPS, or external source
- Location: Front panel (*for external source*)
- Connector Type: MMCX
- Level: -10 dBm to +24 dBm

Reference Sync

- Source: Programmable through software or external source
- Location: Front panel (*for external source*)
- Connector Type: MMCX
- Level: TTL

Gate/Trigger

- Source: Programmable through software or external source
- Location: Front panel (*for external source*)
- Connector Type: MMCX
- Level: TTL

GPS

- Source: On-board
- Antenna Connector Location: Front panel
- Connector Type: SMA

Sync Bus

- Signals: Sample Clock, Reference Clock, Reference Sync, Gate/Trigger
- Location: VPX-P2 or RTM

- Connector Type: Multi-pin, high-speed differential (*on RTM*)

**RFSoc Processing System**

ARM Cortex-A53:

- Quantity: 4
- Speed: 1.5 GHz

ARM Cortex-R5:

- Quantity: 2
- Speed: 600 MHz

Processor I/O:

- Interface: USB 3.0
  - Location: VPX-P1 or RTM
  - Connector Type: USB Type-A (*on RTM*)
- Interface: 1 GigE
  - Location: VPX-P1 or RTM
  - Connector Type: RJ45 (*on RTM*)
- Interface: RS-232
  - Location: VPX-P1 or RTM
  - Connector Type: Micro USB (*on RTM*)
- Interface: DisplayPort (not currently supported)
  - Location: VPX-P1 or RTM
  - Connector Type: Mini DisplayPort (*on RTM*)

**FPGA I/O**

Interface: GPIO

- Quantity: 11 Pairs
- Type: LVDS Location: VPX-P2 or RTM
- Connector Type: 50-pin SMC (*on RTM*)

Interface: Optical (Option -110)

- Quantity: 8 full duplex lanes
- Speed: 25 Gb/sec
- Laser: 850 nm
- Location: Lower 1/2 of VPX-P2
- Connector Type: VITA 66.4

Quartz 5953

- Protocol: Factory-installed dual 100 GigE UDP IP cores provides greater than 24 GB/sec data transfers, other protocols supported with user-installed IP

**JTAG**

Location: Front panel and VPX-P0 or RTM

Connector Type: Standard 14-pin header (on front panel and RTM)

**Memory**

Processing System:

- Type: DDR4 SDRAM
- Size: 8 GB
- Speed: 1200 MHz (2400 MHz DDR)

Programmable Logic:

- Type: DDR4 SDRAM
- Size: 8 GB
- Speed: 1200 MHz (2400 MHz DDR)

FPGA Configuration FLASH

- Type: QSPI NOR Flash
- Size: 2 x 1 Gbit

**PCI-Express Interface**

PCI Express Bus: Gen. 1, 2 or 3: x4 or x8

**Environmental**

Standard: L0 (air-cooled)

- Operating Temp: 0° to 50° C
- Storage Temp: -20° to 90° C
- Relative Humidity: 0 to 95%, non-condensing

Option -702: L2 (air-cooled)

- Operating Temp: -20° to 65° C
- Storage Temp: -40° to 100° C
- Relative Humidity: 0 to 95%, non-condensing

Option -763: L3 (conduction-cooled)

- Operating Temp: -40° to 70° C
- Storage Temp: -50° to 100° C
- Relative Humidity: 0 to 95%, non-condensing

**Physical**

Dimensions: VPX board

- Depth: 170.61 mm (6.717 in)
- Height: 100 mm (3.937 in)

Weight: 22 oz (624 grams)

**OpenVPX Compatibility**

The 5953 is compatible with the following module profile, as defined by the VITA 65 OpenVPX Specification:

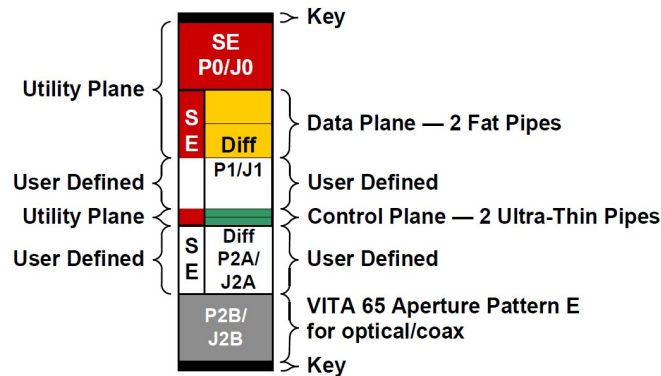
SLT3-PAY-2F2U1E-14.6.10-n

**ORDERING INFORMATION**

| Model | Description  |
|-------|--|
| 5953  | 3U VPX 8-channel A/D & D/A board with Zynq UltraScale+ RFSoc Processor - Gen 3 |

| Options | Description                          |
|---------|--------------------------------------|
| -002    | -2 FPGA speed grade, -1 standard     |
| -048    | XCZU48DR FPGA (XCZU47DR is standard) |
| -110    | VITA 66.4 8X optical interface       |
| -702    | Air-cooled, Level L2                 |
| -763    | Conduction-cooled, Level L3          |

Contact Mercury for compatible option combinations.



ACCESSORY PRODUCTS

| Option | Description            |
|--------|------------------------|
| -950   | Support for Model 5950 |

| Model | Description                                    |
|-------|--|
| 5901  | Rear Transition Module - 3U VPX                |
| 5903  | High-Speed Synchronizer and Distribution Board |
| 8257  | 3U VPX Development Chassis                     |

MODEL 8257

The Model 8257 is a 3U VPX chassis ideal for application development. Offered as a convenient, low cost solution for hosting the 5953, it includes power and cooling to match the 5953's requirements in a portable desktop package.



Corporate Headquarters

50 Minuteman Road  
 Andover, MA 01810 USA  
**+1 978.967.1401** tel  
**+1 866.627.6951** tel  
**+1 978.256.3599** fax

International Headquarters

**Mercury International**  
 Avenue Eugène-Lance, 38  
 PO Box 584  
 CH-1212 Grand-Lancy 1  
 Geneva, Switzerland  
**+41 22 884 5100** tel

Learn more

Visit: [mrcy.com/go/MP5953](https://mrcy.com/go/MP5953)

For technical details, contact:  
[mrcy.com/go/CF5953](https://mrcy.com/go/CF5953)



The Mercury Systems logo is a registered trademark of Mercury Systems, Inc. Other marks used herein may be trademarks or registered trademarks of their respective holders. Mercury products identified in this document conform with the specifications and standards described herein. Conformance to any such standards is based solely on Mercury's internal processes and methods. The information contained in this document is subject to change at any time without notice.

