

# AM1163 – Amplifier

## DC to 10 GHz Gain Block

### Description

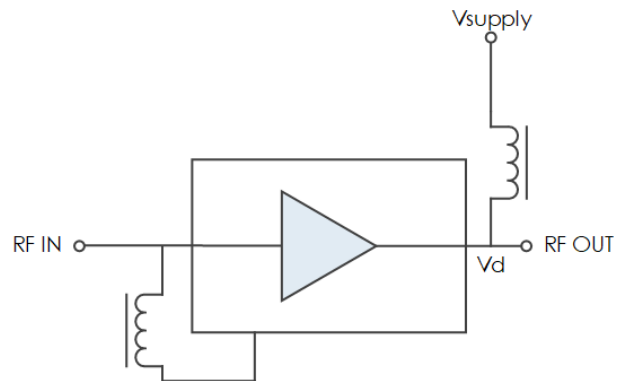
The AM1163 is a high dynamic range DC-coupled amplifier covering up to 10 GHz. The device exhibits a moderate positive gain-slope, providing frequency equalization useful in many broadband applications. AM1163 provides similar performance to Atlanta Micro's AM1063 with the benefit of improved low frequency NF. With internal 50Ω matching and packaged in a 1.3mm x 2.0 mm DFN, a 3mm QFN or a shielded module, the AM1163 represents a compact total PCB footprint.



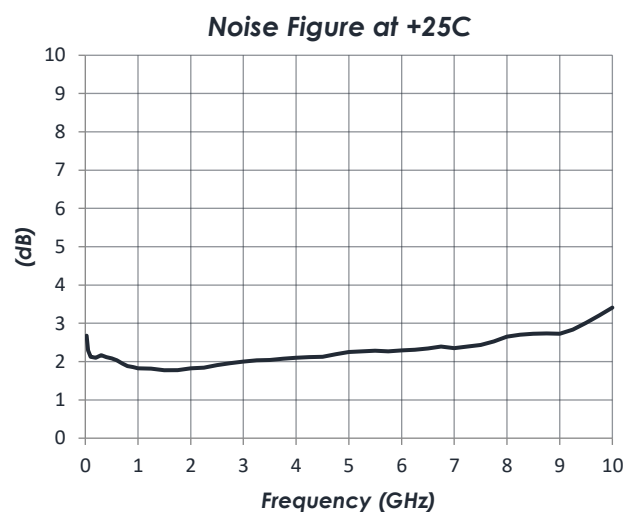
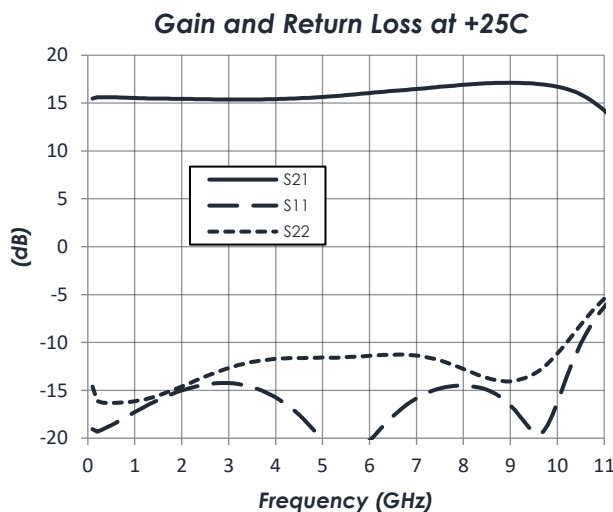
### Features

- 15 dB Gain
- 2.5 dB Noise Figure
- +30 dBm OIP3
- +18 dBm P1dB
- +3.3V or +5.0V Operation
- 3mm QFN
- -40C to +85C Operation

### Functional Diagram



### Characteristic Performance



### Table of Contents

<b>Description</b> .....	1	Recommended Operating Conditions ...	5
<b>Features</b> .....	1	Thermal Information .....	5
<b>Functional Diagram</b> .....	1	DC Electrical Characteristics .....	6
<b>Characteristic Performance</b> .....	1	RF Performance .....	6
<b>Revision History</b> .....	2	Typical Performance .....	7
<b>Pin Layout and Definitions</b> .....	3	<b>Typical Application</b> .....	9
AM1163-1: 3mm QFN .....	3	<b>Part Ordering Details</b> .....	10
AM1163-2: 1.3mm x 2mm DFN .....	4	<b>Related Parts</b> .....	10
<b>Specifications</b> .....	5	<b>Evaluation PC Board</b> .....	10
Absolute Maximum Ratings .....	5	<b>Component Compliance Information</b> .....	11
Handling Information .....	5		

### Revision History

Date	Revision Number	Notes
June 28, 2019	1	Preliminary Release
July 23, 2019	2	Added 1.3mm x 2mm DFN Details
September 6, 2019	2A	Added 1.3mm x 2mm DFN Picture
November 25, 2019	3	RF-Shielded Module Information Added, Updated packaging options in Description, Part Ordering Details Added
November 11, 2020	4	Package and Module information moved to main product page on website.

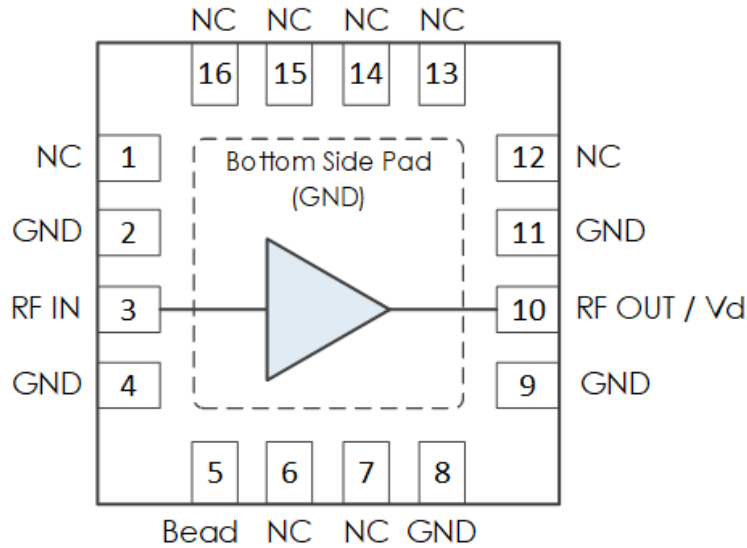
# AM1163 – Amplifier

DC to 10 GHz Gain Block



## Pin Layout and Definitions

### AM1163-1: 3mm QFN



Pin Number	Pin Name	Pin Function
1	NC	Not Connected*
2	GND	Ground - Common
3	RF In	RF Input – 50 Ohms – DC Coupled. External DC Blocking Capacitor Required
4	GND	Ground - Common
5	Bead	Connect to RF In through external ferrite bead or large inductor
6,7	NC	Not Connected*
8,9	GND	Ground - Common
10	RF Out / Vd	RF Output and DC Power Input – 50 Ohms – DC Coupled. External DC Blocking Capacitor Required
11	GND	Ground - Common
12-16	NC	Not Connected*
Case GND	GND	Ground - Common

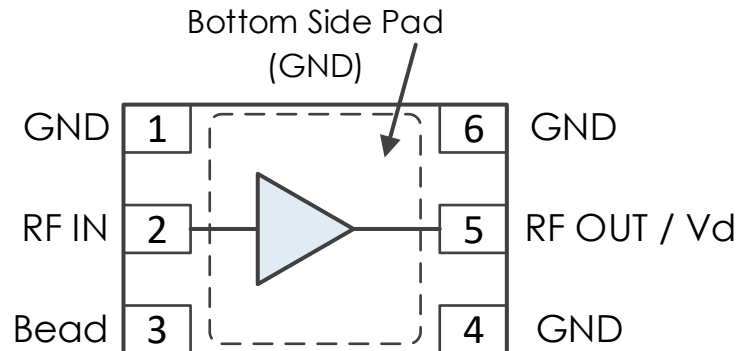
\*NC pins may be grounded or left open

# AM1163 – Amplifier

DC to 10 GHz Gain Block

## Pin Layout and Definitions (Continued)

AM1163-2: 1.3mm x 2mm DFN



Pin Number	Pin Name	Pin Function
1	GND	Ground – Common
2	RF In	RF Input – 50 Ohms – DC Coupled. External DC Blocking Capacitor Required
3	Bead	Connect to RF In through external ferrite bead or large inductor
4	GND	Ground – Common
5	RF Out	RF Output – 50 Ohms – DC Coupled. External DC Blocking Capacitor Required
6	GND	Ground – Common

# AM1163 – Amplifier

## DC to 10 GHz Gain Block

### Specifications

#### Absolute Maximum Ratings

	Minimum	Maximum
Supply Voltage	-0.3 V	+8.0 V
RF Input Power		+20 dBm
Operating Junction Temperature	-40 C	+150 C
Storage Temperature Range	-50 C	+150 C

**Note:** Any device operation beyond the Absolute Maximum Ratings may result in permanent damage to the device. The values listed in this table are extremes and do not imply functional operation of the device at these or any other conditions beyond what is listed under Recommended Operating Conditions. Any part subjected to conditions outside of what is recommended for an extended amount of time may suffer from reliability concerns.

#### Handling Information

	Minimum	Maximum
Storage Temperature Range (Recommended)	-50 C	+125 C
Moisture Sensitivity Level	MSL 3	



Atlanta Micro products are electrostatic sensitive.  
Follow safe handling practices to avoid damage

#### Recommended Operating Conditions

	Minimum	Typical	Maximum
Supply Voltage	+2.7 V		+5.2 V
Operating Case Temperature	-40 C		+85 C
Operating Junction Temperature	-40 C		+125 C

#### Thermal Information

	Thermal Resistance (°C / W)
Junction to Case Thermal Resistance ( $\theta_{JC}$ )	88

# AM1163 – Amplifier

## DC to 10 GHz Gain Block

### DC Electrical Characteristics

(T = 25 °C unless otherwise specified)

Parameter	Testing Conditions	Minimum	Typical	Maximum
Device Voltage (Vd)		+3.0 V	+4.7 V	+5.0 V
DC Supply Current	Vd = 3.1 V		37 mA	
	Vd = 3.3 V		42 mA	
	Vd = 4.7 V		73 mA	
	Vd = 5.0 V		80 mA	
Power Dissipated	Vd = 3.1 V		0.11 W	
	Vd = 3.3 V		0.14 W	
	Vd = 4.7 V		0.34 W	
	Vd = 5.0 V		0.4 W	

### RF Performance

(T = 25 °C unless otherwise specified)

Parameter	Testing Conditions	Minimum	Typical	Maximum
Frequency Range		DC		10 GHz
Gain	Vd = 5.0 V		15.0 dB	
Return Loss	Vd = 5.0 V		14 dB	
Output IP3			+30 dBm	
Output P1dB			+18 dBm	
Noise Figure			2.5 dB	

### Notes:

1. OIP3 shown was measured at 10 MHz input tone spacing
2. All performance metrics were measured using the recommended MMZ1005A222E ferrite bead connecting RF In and the Bead pin (see Typical Application section)

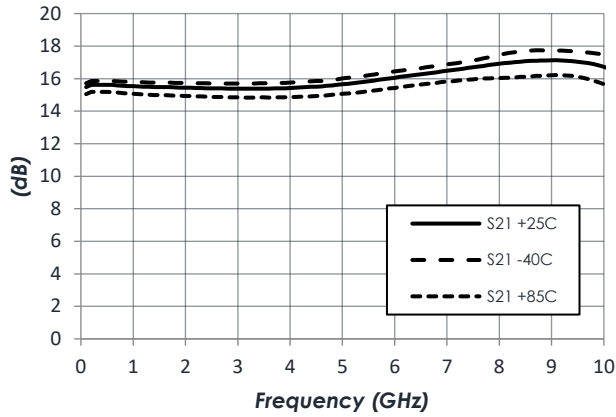
# AM1163 – Amplifier

## DC to 10 GHz Gain Block

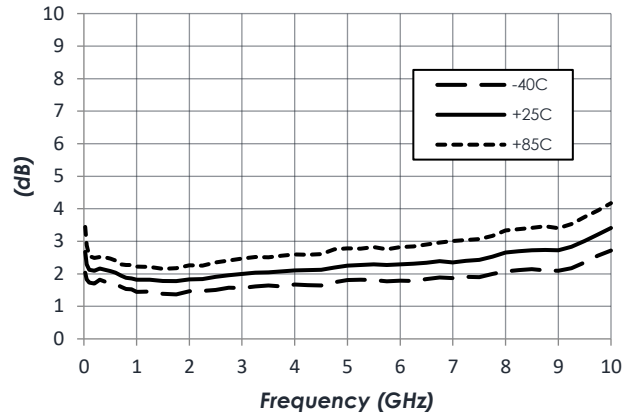
### Typical Performance

(Vd = +5.0 V, Id = 80 mA)

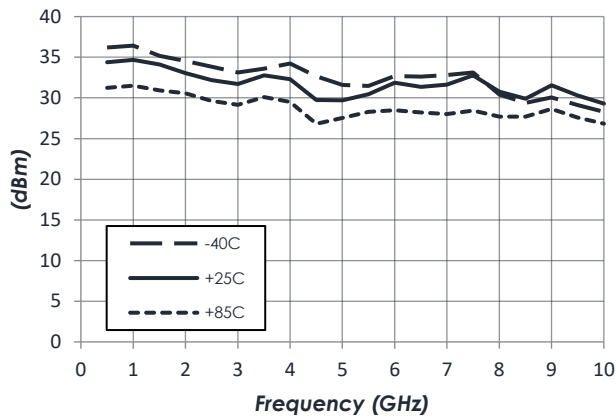
**Gain vs Temperature**



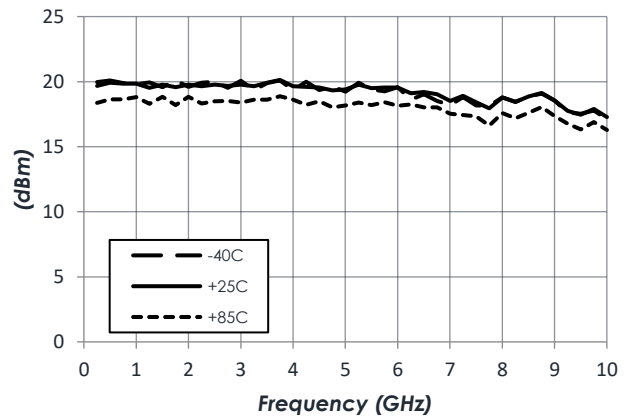
**Noise Figure vs Temperature**



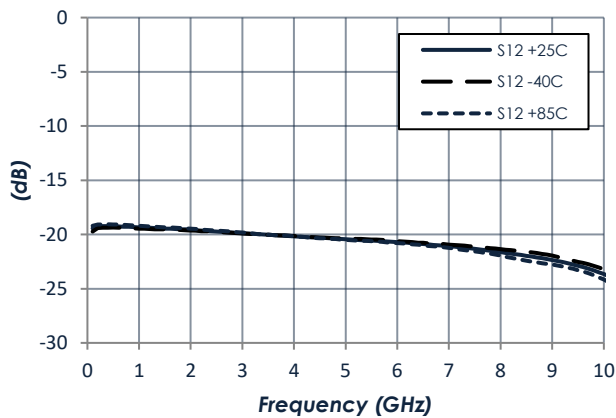
**Output IP3 vs Temperature**



**P1dB vs Temperature**



**Reverse Isolation vs Temperature**



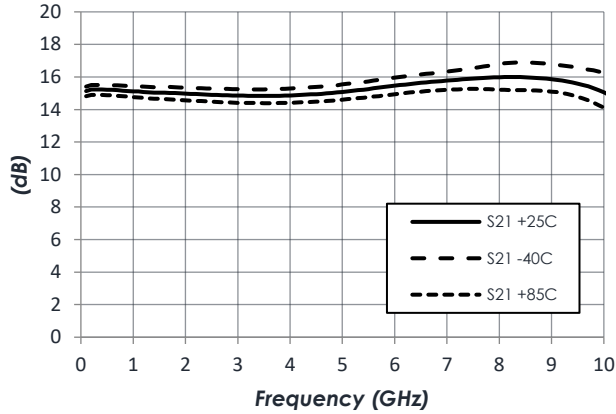
# AM1163 – Amplifier

## DC to 10 GHz Gain Block

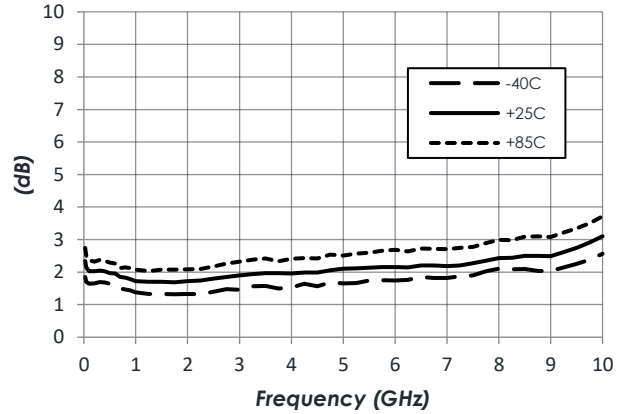
### Typical Performance (continued)

(Vd = +3.3 V, Id = 42 mA)

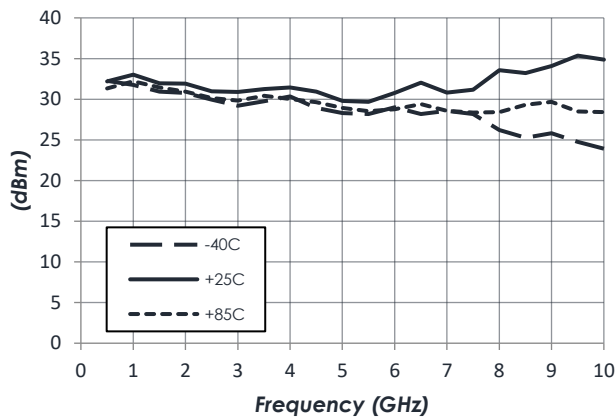
**Gain vs Temperature**



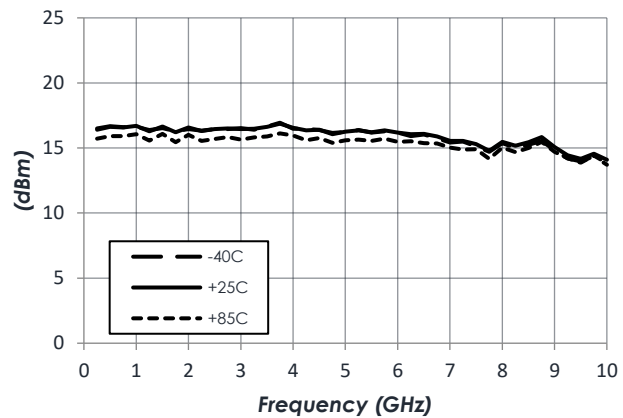
**Noise Figure vs Temperature**



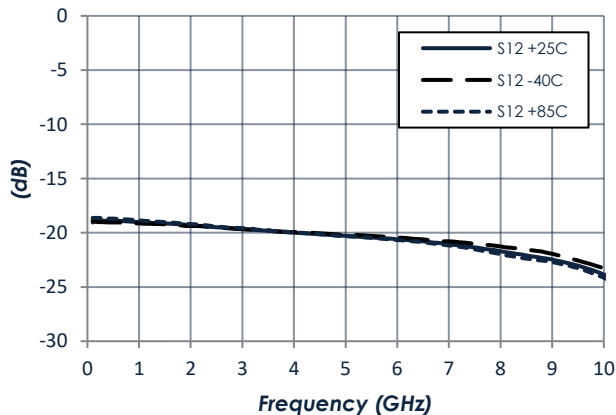
**Output IP3 vs Temperature**



**P1dB vs Temperature**



**Reverse Isolation vs Temperature**

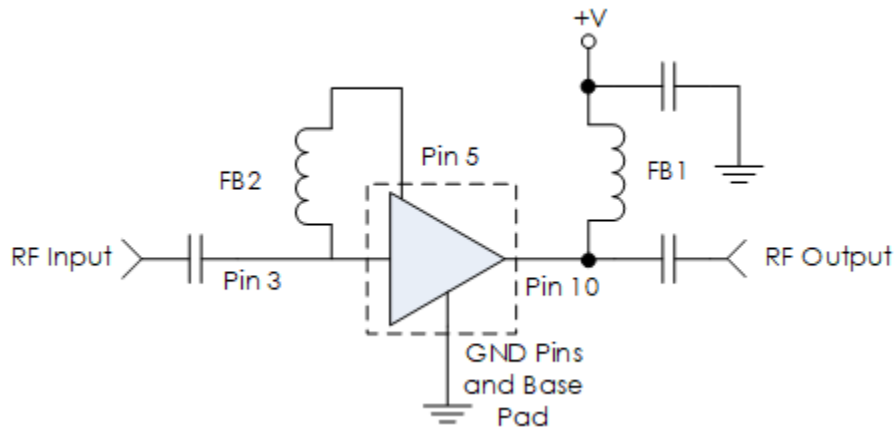




# AM1163 – Amplifier

DC to 10 GHz Gain Block

## Typical Application



### Recommended Component List (or equivalent):

Part	Value	Part Number	Manufacturer
C1, C2	0.1 $\mu$ F	0402BB104KW160	Passives Plus
C3	0.1 $\mu$ F	GRM155R71C104KA88	Murata
FB1	-	MMZ1005A222E	TDK
FB2	-	MMZ1005A222E	TDK

### Notes:

1. NC pins may be grounded or left open.
2. RF blocking capacitors should be high performance, low-loss, broadband capacitors for optimum performance.
3. FB2 can be substituted for a different bead or inductor to extend performance lower in frequency.

# AM1163 – Amplifier

## DC to 10 GHz Gain Block

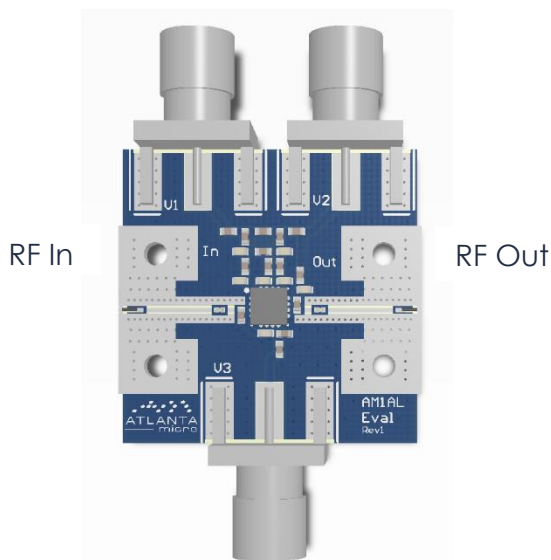
### Part Ordering Details

Description	Part Number
3mm 16 Lead QFN	AM1163-1
1.3mm x 2mm 6 Lead DFN	AM1163-2
AM1163-1 Evaluation Board	AM1163-1 Eval
AM1163-2 Evaluation Board	AM1163-2 Eval
AM1163-1 in 0.95" x 1.13" x 0.6" RF-Shielded Module with Integrated Bias Tee and Field Replaceable SMA Connectors	AM1163-M

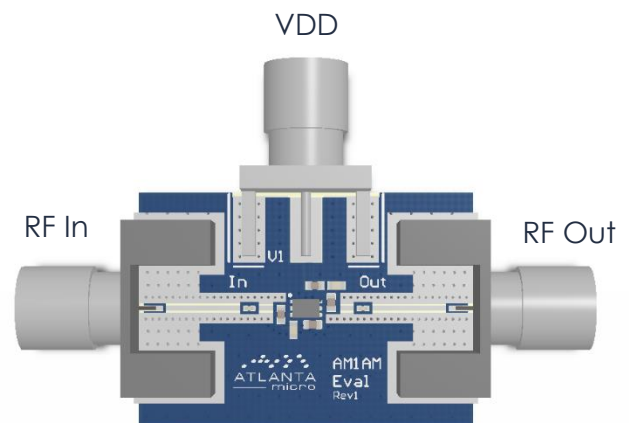
### Related Parts

Part Number	Description
AM1164	DC to 8 GHz Gain Block with External Bead
AM1063-1	DC to 10 GHz Gain Block
AM1063-2	DC to 10 GHz Miniature Gain Block
AM1064-1	DC to 8 GHz Gain Block
AM1064-2	DC to 8 GHz Miniature Gain Block
AM1016B	20 MHz to 6 GHz +3.3V Gain Block
AM1018C	20 MHz to 6 GHz +5.0V Gain Block
AM1025B	20 MHz to 3 GHz +8.0V Gain Block (High P1dB)
AM1031C	20 MHz to 8 GHz +3.3V Gain Block
AM1065	DC to 8 GHz Bypassable Gain Block
AM1073	DC to 8 GHz Bidirectional / Bypassable Gain Block

### Evaluation PC Board



AM1163-1 Eval



AM1163-2 Eval

To obtain price, delivery, or to place an order contact [sales@atlantamicro.com](mailto:sales@atlantamicro.com)  
 Atlanta Micro Inc., 3720 Davinci Ct, Suite 125, Norcross, GA 30092 • Phone: (470) 253-7640 • [www.atlantamicro.com](http://www.atlantamicro.com)

### Component Compliance Information

**RoHS:** Atlanta Micro, Inc. hereby certifies that all products comply with the EC Directive 2011/65/EC on the Restriction of Hazardous Substances, commonly known as EU-RoHS 6 and 10. All products supplied by Atlanta Micro shall be compliant with the European Directive 2011/65/EC based on the following substance list.

Substance List	Allowable Maximum Concentration
Lead (Pb)	<1000 PPM (0.1% by weight)
Mercury (Hg)	<1000 PPM (0.1% by weight)
Cadmium (Cd)	<75 PPM (0.0075% by weight)
Hexavalent Chromium (CrVI)	<1000 PPM (0.1% by weight)
Polybrominated Biphenyls (PBB)	<1000 PPM (0.1% by weight)
Polybrominated Diphenyl ethers (PBDE)	<1000 PPM (0.1% by weight)
Decabromodiphenyl Deca BDE	<1000 PPM (0.1% by weight)
Bis (2-ethylhexyl) Phthalate (DEHP)	<1000 PPM (0.1% by weight)
Butyl Benzyl Phthalate (BBP)	<1000 PPM (0.1% by weight)
Dibutyl Phthalate (DBP)	<1000 PPM (0.1% by weight)
Diisobutyl Phthalate (DIBP)	<1000 PPM (0.1% by weight)

**REACH:** Atlanta Micro, Inc. neither uses nor intentionally adds any of the substances considered to be a Substance of Very High Concern (SVHC) as defined by the EU Regulation (EC) No. 1907-2006 on Registration, Evaluation, Authorization, and Restriction of Chemicals (REACH).

**Conflict Materials:** Atlanta Micro does not knowingly use materials that are sourced from the Democratic Republic of Congo (DRC) or any other known conflict regions. Atlanta Micro's supply chain is comprised of sources that are both environmentally and socially responsible. We periodically review this requirement with our vendors to ensure continued compliance.

Atlanta Micro takes its responsibility as a global partner seriously and will use due diligence within our supply chain to ensure all standards are met to the best of our knowledge.