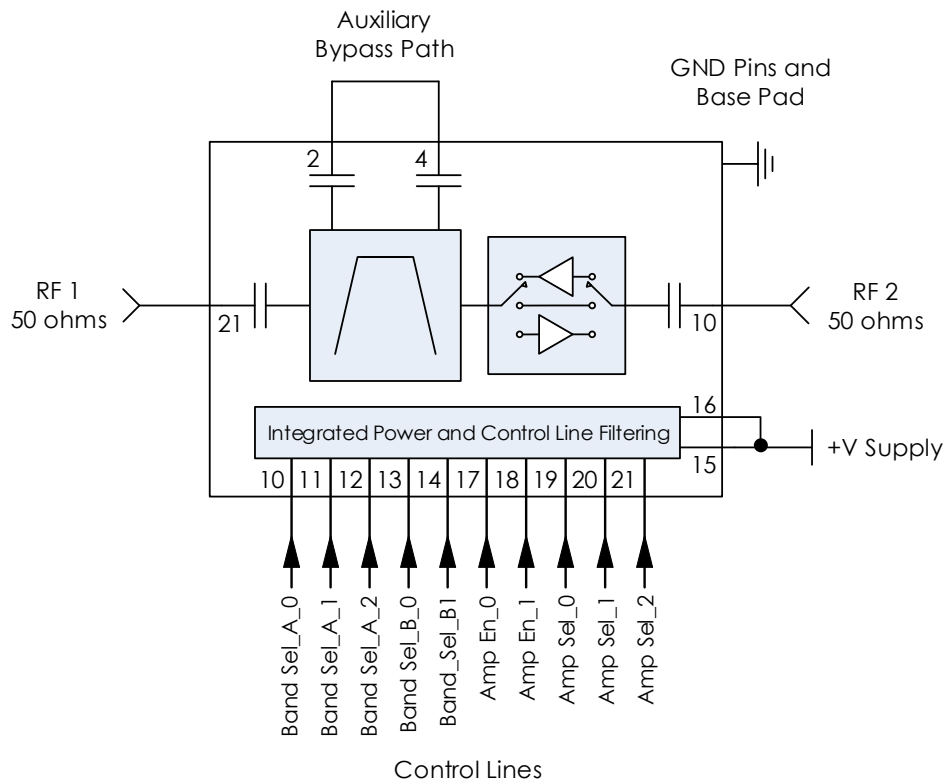


# AM3023B Application Note

## Miniature Transmit / Receive with Sub-Octave Filtering

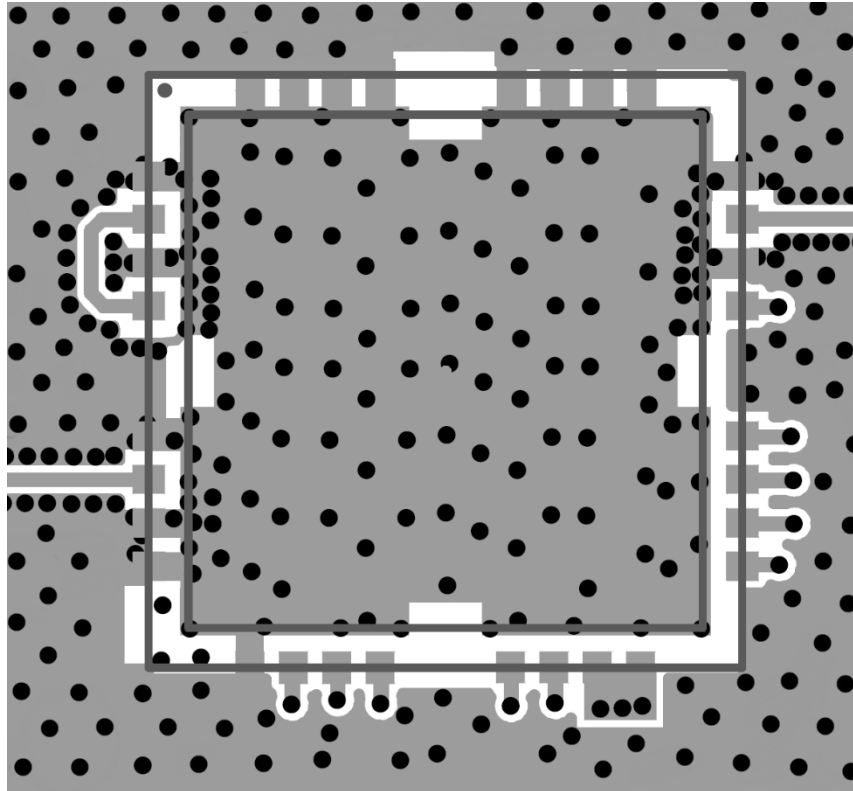
### Typical Application



### Notes:

1. RF Aux 1 and RF Aux 2 are optional ports that can be used for external filtering or can be connected together to provide a filter bypass path.
2. Internal RC filtering time constant is 220 ns.

### Recommended Layout



#### Notes:

1. No power line or control line filtering needed as these are integrated into the IC.
2. Recommended input trace is grounded coplanar waveguide, 50 ohms.
3. IC and RF inputs / outputs should be via fenced.
4. Vias should be placed under IC and GND pads.
5. Vias shown are 10mil hole size with 24mil pad.
6. DC blocks not required as they are integrated into the IC.
7. Should clear ground flood under IC like layout above.
  - a. Ground should still flood around CPWG traces.
  - b. Ground should still touch all ground pins of IC.

### Revision History

Date	Revision Number	Notes
November 11, 2020	1	Initial Release