

Broadband Microwave Coaxial Noise Source NSL-2-B

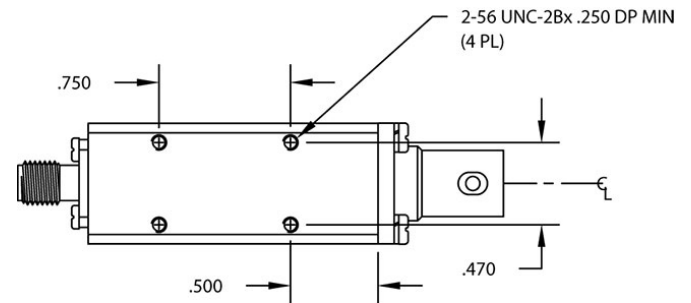
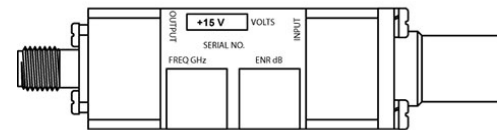
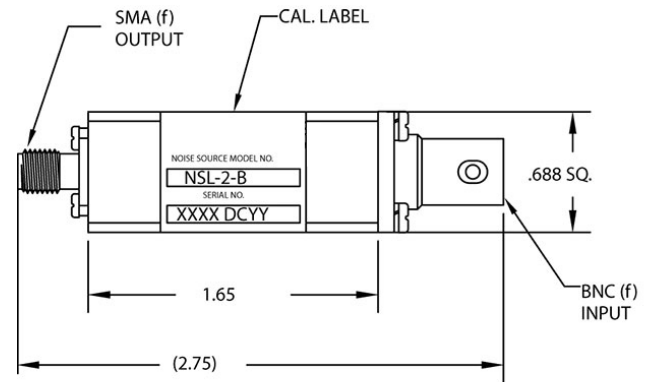


Specifications are subject to change without notice

Specifications

Parameter	Value
RF Frequency	1 MHz to 1000 MHz
Noise Output	29 - 31 dB ENR
Noise Spectral Density (N ₀)	-144 dBm/Hz
Peak Factor	5:01
Bias Voltage	15 V
Supply Current	20 mA Max
Impedance	50 ohms
Construction	Coaxial
Connector Type	SMA(F)
Operating Temperature	-55 to 95 °C
Storage Temperature	-65 to 125 °C

Outline Drawing



All dimensions are in inches

Need More Help? Need a Variant of This Product?

Contact Mercury's RF & Microwave engineering team at rf.microwave@mrcy.com or visit www.mrcy.com/rf for a detailed listing of RF and Microwave products.



Corporate Headquarters • 50 Minuteman Road • Andover, MA 01810 USA • (978) 967-1401 • (866) 627-6951 • Fax (978) 256-3599 • www.mrcy.com