

Surface Mount Circulator SMD1900-C3134

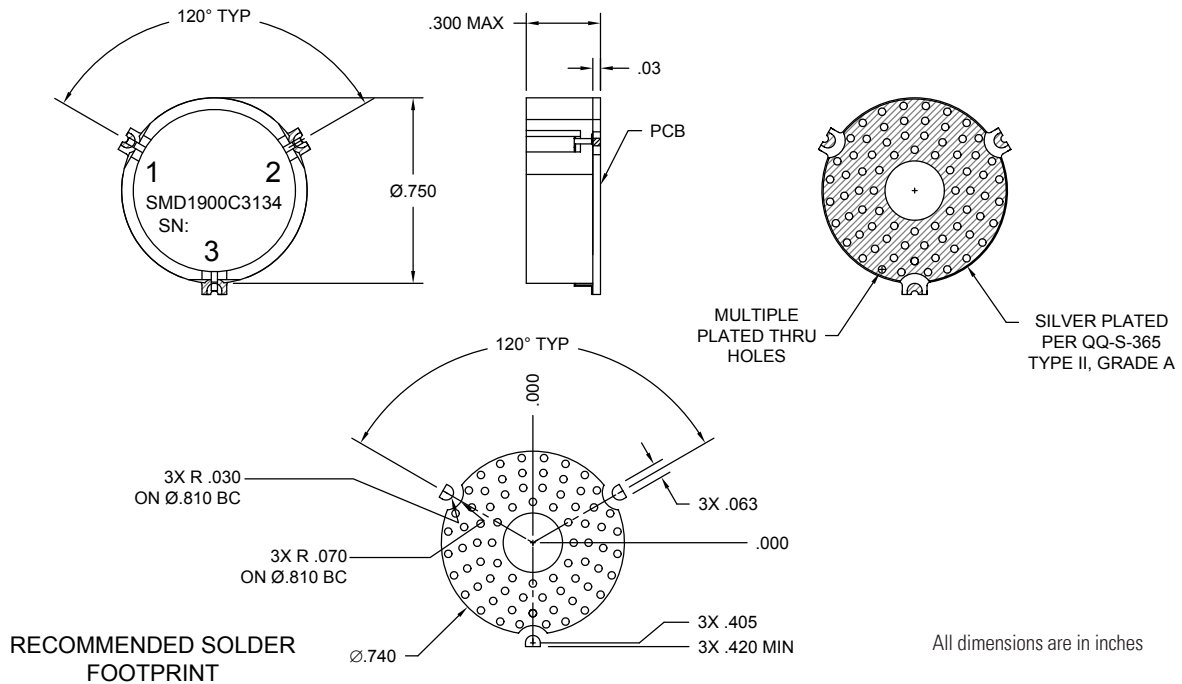


Specifications are subject to change without notice

Specifications

Parameter	Value
RF Frequency	3.1 GHz to 3.4 GHz
Isolation	25 dB (min)
Insertion Loss	0.3 dB (max)
VSWR	1.12:1
Power Forward	30 Watts
Power Peak	100 Watts
Operating Temperature	-40°C to +85°C
Storage Temperature	-54°C to +125°C

Outline Drawing



Need More Help? Need a Variant of This Product?

Contact Mercury's RF & Microwave engineering team at rf.microwave@mrcy.com or visit www.mrcy.com/rf for a detailed listing of RF and Microwave products.



Corporate Headquarters • 50 Minuteman Road • Andover, MA 01810 USA • (978) 967-1401 • (866) 627-6951 • Fax (978) 256-3599 • www.mrcy.com